



# neelnox

LET  
THERE  
BE **DESIGN.**

## FEATURES

- Premium 304 Grade Stainless Steel
- Solid Base Construction
- Weighted base ensures stability



## COLLECTION FREE STANDING

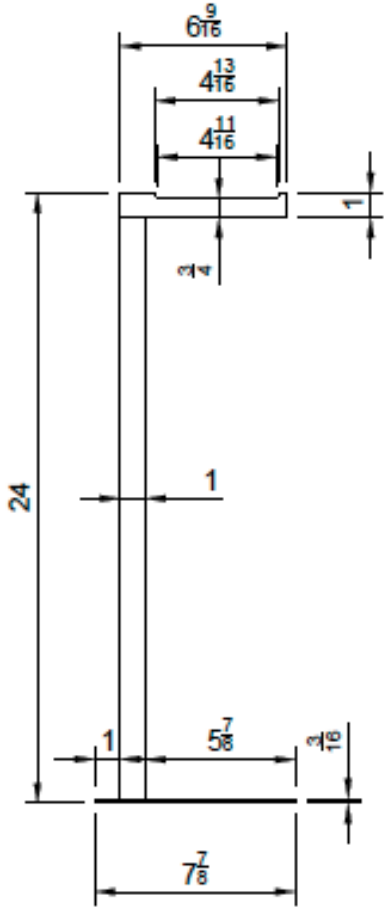
### TISSUE HOLDER

Model	Product	Finishes Available
FRE-TPH-6	Free Standing Tissue Holder	Multiple finishes available. Over 23 finishes to choose from.

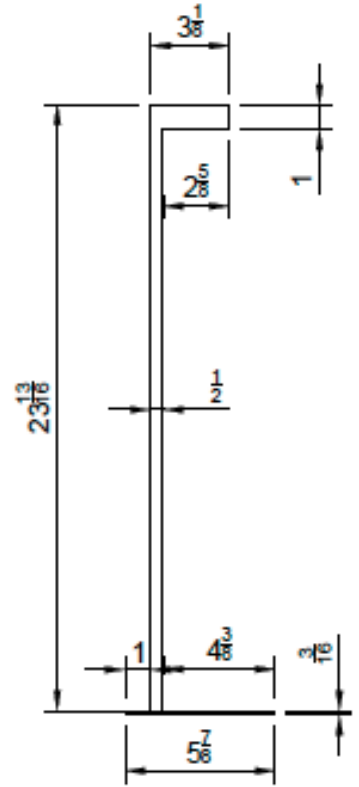
FINISHES			
Polished (-P)	Antique Copper (-ACOP)	Polished Gold (-PGLD)	
Brushed (-B)	Polished Brass (-PBRS)	Brushed Copper (-BCOP)	
Brushed Gold (-BGLD)	Matte White (-WHT)	Brushed Rose Gold (-BRGD)	
Matte Black (-BLK)	Brushed Modern Bronze (-BMBRZ)	Brushed Black (-BRBLK)	
Oil Rubbed Bronze (-ORB)	Glossy White (-GWHT)	Polished Black (-PBLK)	
Brushed Brass (-BBRS)	Polished Rose Gold (-PRGD)	Antique Nickel (-ANKL)	
Brushed Bronze (-BBRZ)	Unlacquered Brass (-UBRS)	Black Nickel (-NKBL)	
Antique Brass (-ABRS)	Polished Nickel (-PNKL)		

Dimensions in inches

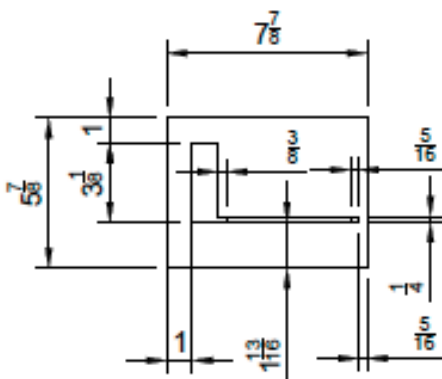
FRONT



SIDE



TOP



NOTE: Dimensions subject to change without notice.